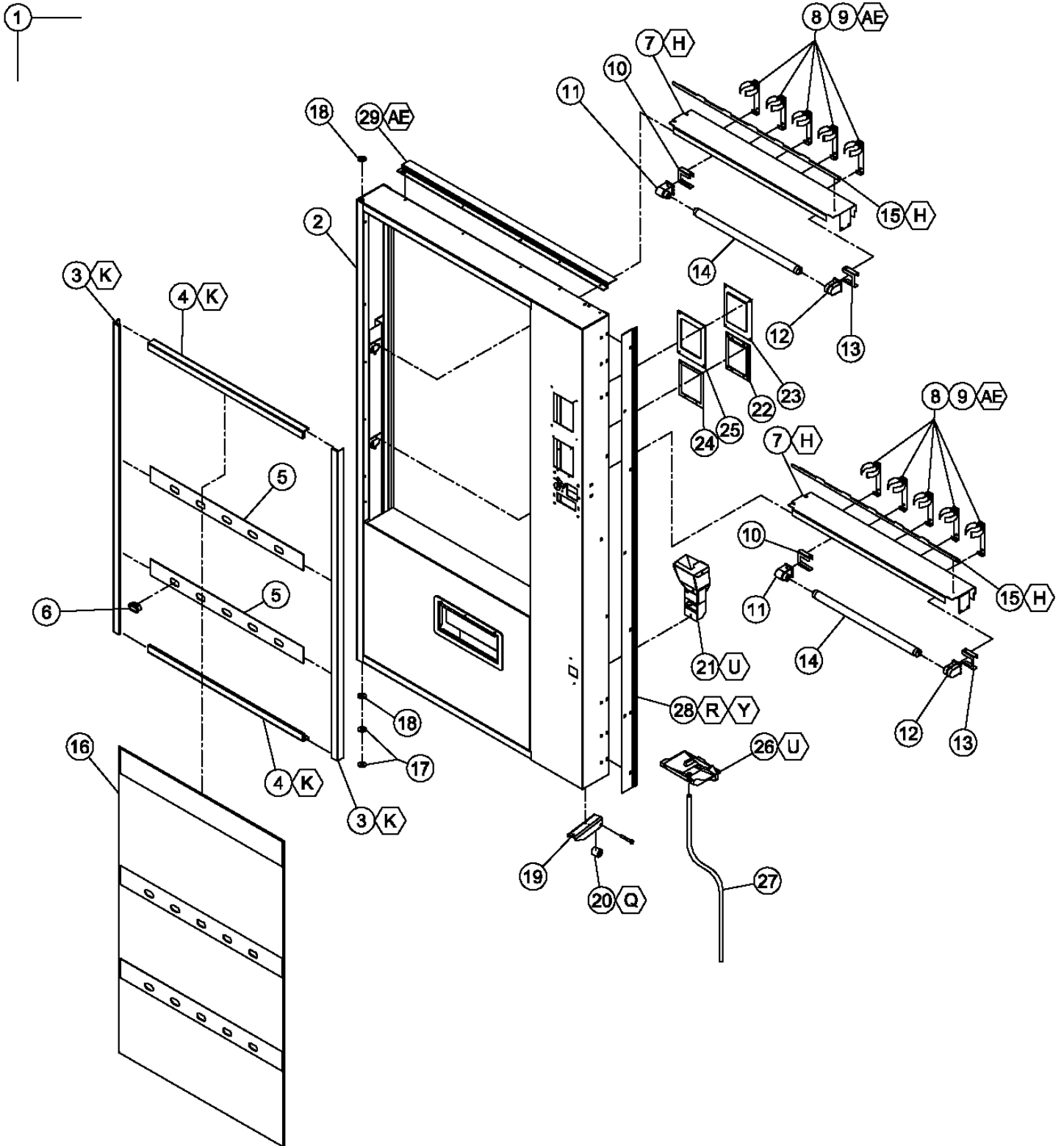




**DOOR PARTS**  
***TRADE LIVE***  
***DISPLAY***



## V21 TRADE LIVE DISPLAY OUTER DOOR – FLAT

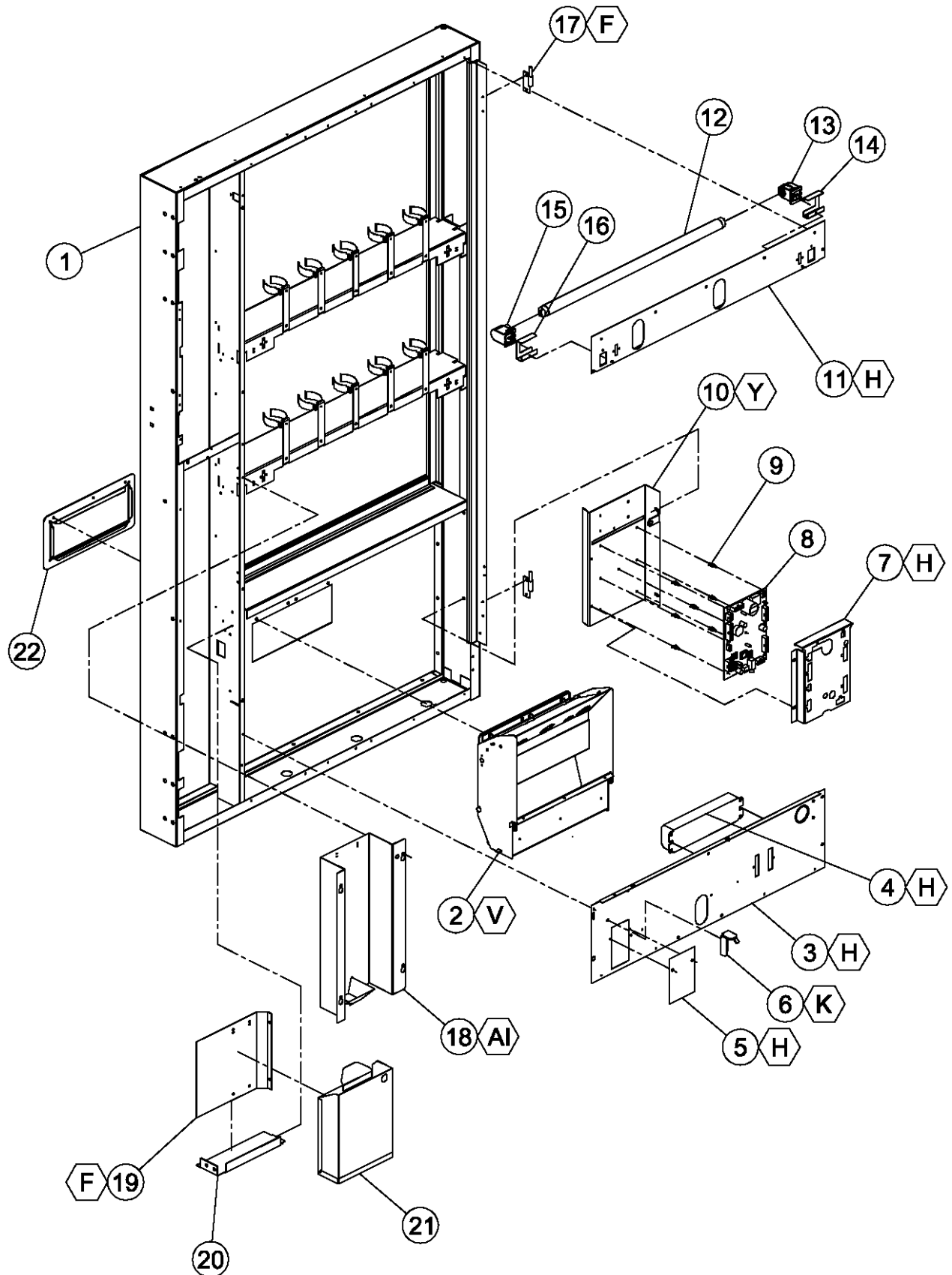
ITEM NO.	MODEL NUMBER	621		721	
	DESCRIPTION	QTY REQ	PART NO.	QTY REQ	PART NO.
1	OUTER DOOR ASSEMBLY	1	*	1	*
2	DOOR WELD ASSEMBLY (NON ADA)	1	1124879	1	1124890
	DOOR WELD ASSEMBLY (ADA)***	1	1217569	1	1217522
3	LEFT AND RIGHT SIGN TRIM	2	388284-22	2	388284-22
4	TOP AND BOTTOM SIGN TRIM	2	388284-20	2	388284-21
5	BUTTON RETAINER	2	1126136	2	1126137
6	BUTTON	8	1087074	10	1087074
7	SHELF	2	1124882	2	1124891
8	SUPPORT BRACKET – PRODUCT HOLDER CLIP	8	1124884	10	1124884
9	PRODUCT HOLDER CLIP	8	1120074	10	1120074
10	LAMP HOLDER BRACKET - PLUNGER	2	1124881	2	1124881
11	LAMP HOLDER PLUNGER	2	1151265	2	1151265
12	LAMP HOLDER FIXED	2	1151253	2	1151253
13	LAMP HOLDER BRACKET - FIXED	2	1124880	2	1124880
14	24" LAMP - T-8	3	1121173	3	1121173
	24" LAMP – 24V LED	3	1237136-3	3	1237136
15	PRICE LABEL BRACKET	2	1124885	2	1124894
16	OUTER DOOR SIGN FACE	1	**	1	**
17	3/8" FLAT WASHER - BOTTOM	2	V801491	2	V801491
18	BUSHING - HINGE	2	388094	2	388094
19	DOOR ROLLER BRACKET	1	1239376	1	1239376
20	DOOR ROLLER	1	1120388	1	1120388
21	COIN RETURN CUP ASSEMBLY	1	1079546	1	1079546
22	DBV FILLER PLATE	1	390142	1	390142
23	DBV PLUG	1	1086503	1	1086503
24	DBV PLUG GASKET	1	1086759	1	1086759
25	DBV FILLER PLATE GASKET	1	1120606	1	1120606
26	WATER COLLECTION TRAY	1	1110562	1	1110562
27	DRAIN TUBE	1	1110619	1	1110619
28	DOOR GUARD - 72"	1	2010131	1	2010131
29	RAIN GUARD	1	2005937-2	1	2000848
30	T-8 ONLY LABEL (NOT SHOWN)	1	1122973	1	1122973

FOR A COMPLETE LIST OF HARNESSSES, PLEASE SEE PAGE C-15.

\*NOTE: WHEN ORDERING OUTER DOOR ASSEMBLY, PLEASE PROVIDE **9-CODE** OR **11-CODE** AND **MANUFACTURER'S DATE CODE**.

\*\*NOTE: WHEN ORDERING SIGN FACE, PLEASE PROVIDE **FRANCHISE, MODEL AND STYLE**.

\*\*\*ADA STYLE REFERS TO ALL MODEL NUMBERS XXXTALXXXXX.

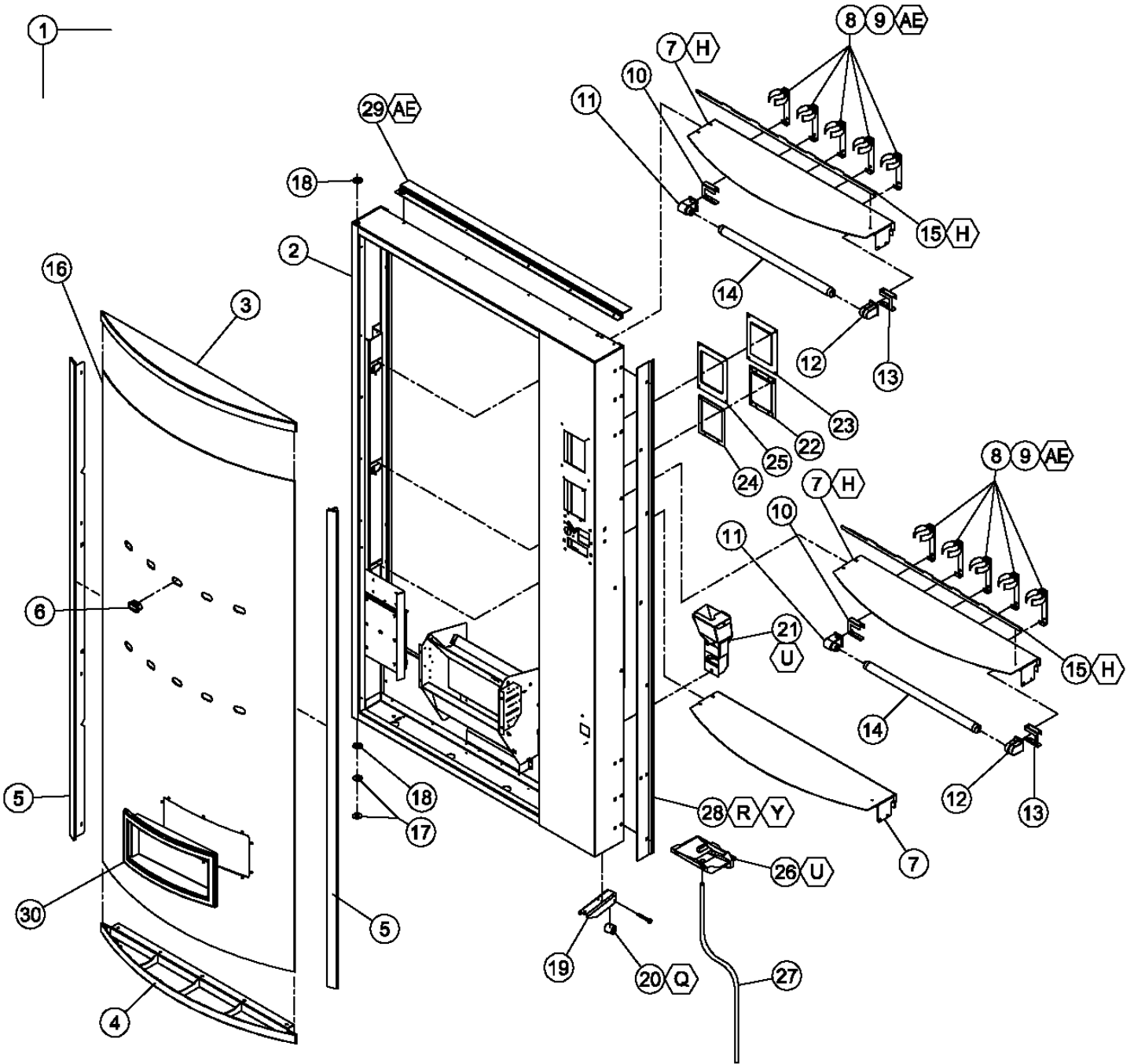


**V21 TRADE LIVE DISPLAY OUTER DOOR - FLAT (CONTINUED)**

ITEM NO.	MODEL NUMBER	621		721	
	DESCRIPTION	QTY REQ	PART NO.	QTY REQ	PART NO.
1	DOOR WELD - BLACK (NON ADA)	1	1124879	1	1124890
	DOOR WELD - BLACK (ADA)*	1	1217569	1	1217522
2	HOPPER ASSEMBLY (NON ADA)	1	1124157	1	1124157
	HOPPER ASSEMBLY (ADA)*	1	133574	1	133574
3	SHEAR PANEL	1	1124932	1	1123915
4	BALLAST, U.S. 110V	1	1127582	1	1127582
5	COVER - SHEAR PANEL	1	1124844	1	1124844
6	INNER DOOR RAMP	1	1121714	1	1121714
7	COVER - CONTROLLER	1	1123049	1	1123049
8	PCBA VEC 12.1 CONTROLLER	1	1123051-12.1	1	1123051-12.1
9	STANDOFF	7	1121740	7	1121740
10	BRACKET - CONTROLLER	1	1127473	1	1127473
11	UPPER SHEAR PANEL	1	1124883	1	1124945
12	24" LAMP - T-8	3	1121173	3	1121173
	24" LAMP - 24V LED	3	1237136-3	3	1237136
13	LAMP HOLDER FIXED	1	388531	1	388531
14	LAMP HOLDER BRACKET - FIXED	1	1124880	1	1124880
15	LAMP HOLDER PLUNGER	1	388352	1	388532
16	LAMP HOLDER BRACKET - PLUNGER	1	1124881	1	1124881
17	INNER DOOR HINGE - MALE	2	1121287	2	1121287
18	COIN MECH BRACKET ASSEMBLY	1	1124886	1	1124886
19	BARRIER PANEL	1	1148198	1	1148198
20	COIN BOX BULKHEAD	1	1112155	1	1112155
21	COIN BOX ASSEMBLY	1	1088058	1	1088058
22	EYELET - HOPPER (NON ADA)	1	1124101	1	1124101
	EYELET - HOPPER (ADA)*	1	387125	1	387125
23	RAIN CURTAIN - BALLAST (NOT SHOWN)	1	1125150	1	1125150

FOR A COMPLETE LIST OF HARNESSSES, PLEASE SEE PAGE C-15.

\* ADA STYLE REFERS TO ALL MODEL NUMBERS XXXTALXXXXX.



## V21 TRADE LIVE DISPLAY OUTER DOOR - CURVED

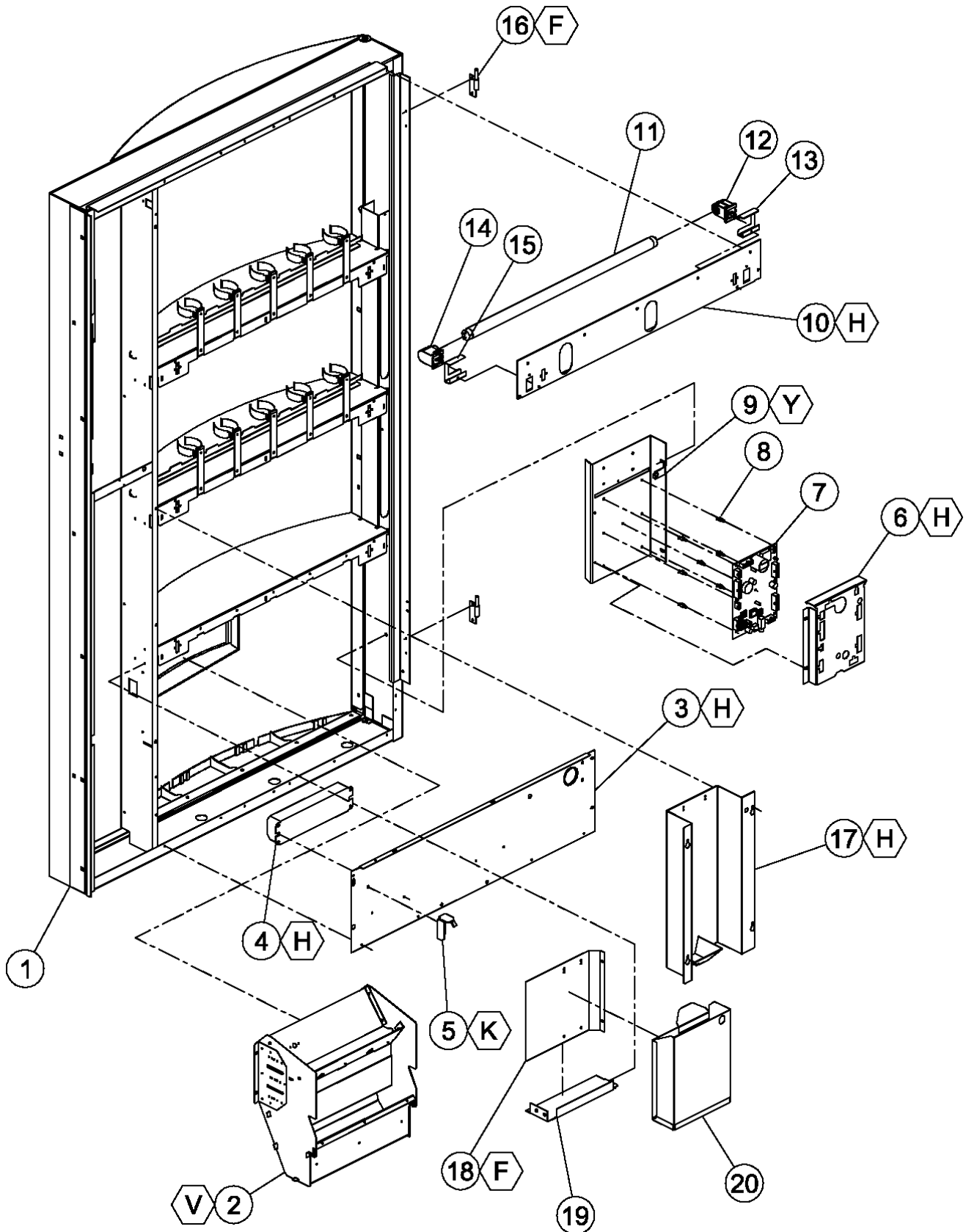
ITEM NO.	MODEL NUMBER	721	
	DESCRIPTION	QTY REQ	PART NO.
1	OUTER DOOR ASSEMBLY	1	*
2	DOOR WELD ASSEMBLY (NON ADA)	1	1124908
	DOOR WELD ASSEMBLY (ADA)***	1	1217513
3	SIGN CAP - TOP	1	1014986
4	SIGN CAP - BOTTOM	1	1068988
5	SIDE TRIM - LEFT & RIGHT	2	1121981
6	BUTTON	10	1087074
7	SHELF	2	1124907
8	SUPPORT BRACKET - PRODUCT HOLDER CLIP	10	1124884
9	PRODUCT HOLDER CLIP	10	1120074
10	LAMP HOLDER BRACKET - PLUNGER	2	1124881
11	LAMP HOLDER PLUNGER	2	388532
12	LAMP HOLDER FIXED	2	388531
13	LAMP HOLDER BRACKET - FIXED	2	1124880
14	24" LAMP - T-8	2	1121173
	LAMP, LED, 24"	2	1237136
15	PRICE LABEL BRACKET	2	1124894
16	OUTER DOOR SIGN FACE	1	**
17	3/8" FLAT WASHER - BOTTOM	2	V801491
18	BUSHING - HINGE	2	388094
19	DOOR ROLLER BRACKET	1	1120552
20	DOOR ROLLER	1	1120388
21	COIN RETURN CUP ASSEMBLY	1	1079546
22	DBV FILLER PLATE	1	390142
23	DBV PLUG	1	1086503
24	DBV PLUG GASKET	1	1086759
25	DBV FILLER PLATE GASKET	1	1120606
26	WATER COLLECTION TRAY	1	1110562
27	DRAIN TUBE	1	1110619
28	DOOR GUARD - 72"	1	2010131
29	RAIN GUARD	1	2000848
30	TRIM EYELET - CURVE	1	388271
31	T-8 ONLY LABEL (NOT SHOWN)	1	1122973

FOR A COMPLETE LIST OF HARNESSSES, PLEASE SEE PAGE C-15.

\*NOTE: WHEN ORDERING OUTER DOOR ASSEMBLY, PLEASE PROVIDE **9-CODE** OR **11-CODE** AND **MANUFACTURER'S DATE CODE**.

\*\*NOTE: WHEN ORDERING SIGN FACE, PLEASE PROVIDE **FRANCHISE, MODEL** AND **STYLE**.

\*\*\*ADA STYLE REFERS TO ALL MODEL NUMBERS XXXTALXXXXX.



V21 Door Parts Trade Live Display | D6-8

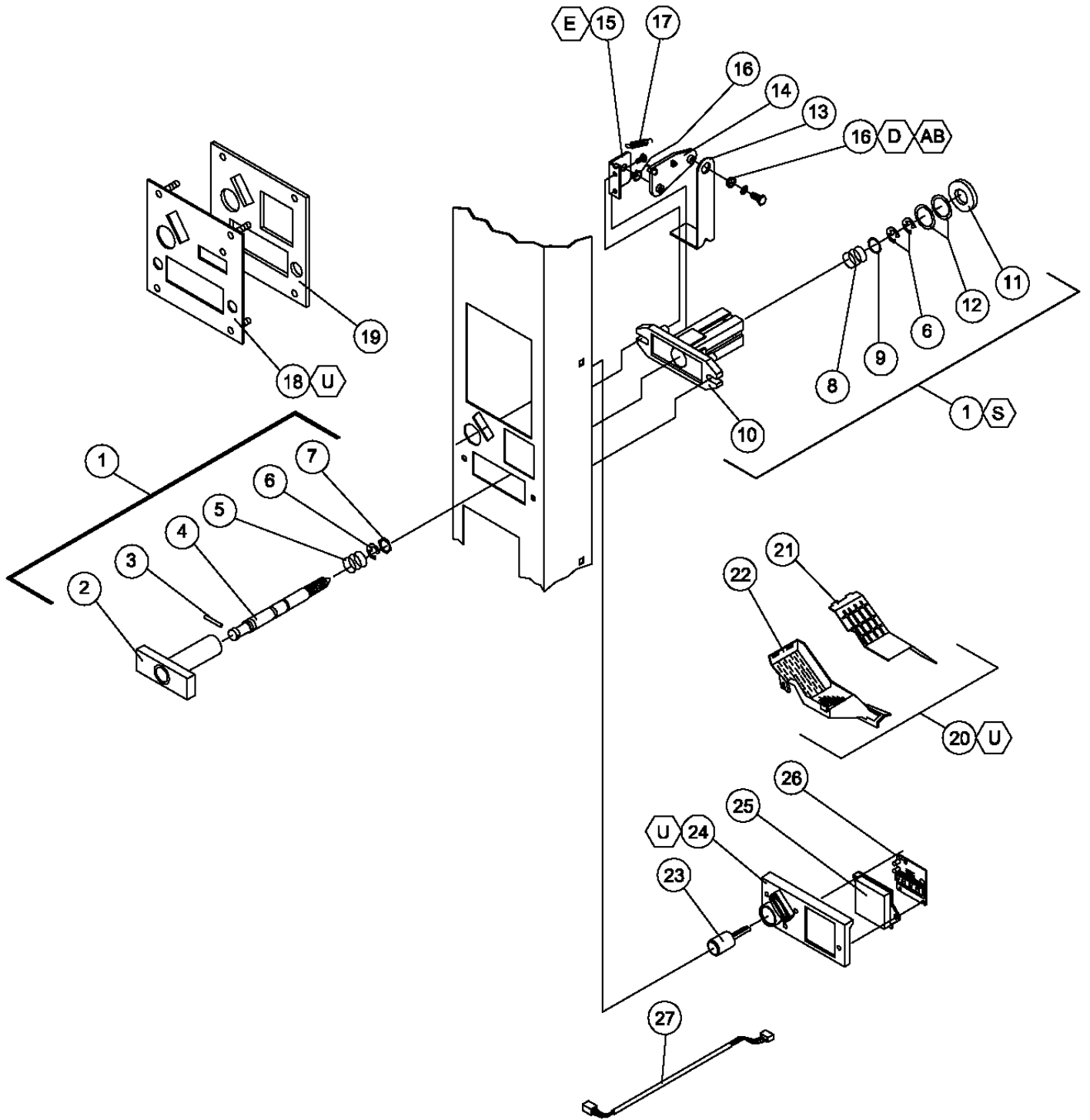


**V21 TRADE LIVE DISPLAY OUTER DOOR - CURVED (CONTINUED)**

ITEM NO.	MODEL NUMBER	721	
	DESCRIPTION	QTY REQ	PART NO.
1	DOOR WELD - BLACK (NON ADA)	1	1124908
	DOOR WELD - BLACK (ADA)*	1	1217513
2	HOPPER ASSEMBLY (NON ADA)	1	1124162
	HOPPER ASSEMBLY (ADA)*	1	1189115-3
3	SHEAR PANEL	1	1124931
4	BALLAST, U.S. 110V	1	1122380
5	INNER DOOR RAMP	1	1121714
6	COVER - CONTROLLER	1	1123049
7	PCBA VEC 12.1 CONTROLLER	1	1123051-12.1
8	STANDOFF	7	1121740
9	BRACKET - CONTROLLER	1	1124644
10	UPPER SHEAR PANEL	1	1124945
11	LAMP - 24" T-8	3	1121173
	LAMP - 24" 24V LED	3	1237136
12	LAMP HOLDER FIXED	1	388531
13	LAMP HOLDER BRACKET - FIXED	1	1124880
14	LAMP HOLDER PLUNGER	1	388532
15	LAMP HOLDER BRACKET - PLUNGER	1	1124881
16	INNER DOOR HINGE - MALE	2	1121287
17	COIN MECH BRACKET ASSEMBLY	1	1124886
18	BARRIER PANEL	1	1117147
19	COIN BOX BULKHEAD	1	1112155
20	COIN BOX ASSEMBLY	1	133563
21	RAIN CURTAIN - BALLAST (NOT SHOWN)	1	1125150

FOR A COMPLETE LIST OF HARNESSSES, PLEASE SEE PAGE C-15.

\*ADA STYLE REFERS TO ALL MODEL NUMBERS XXXT**TAL**XXXXX OR XXXT**AD**XXXXX.

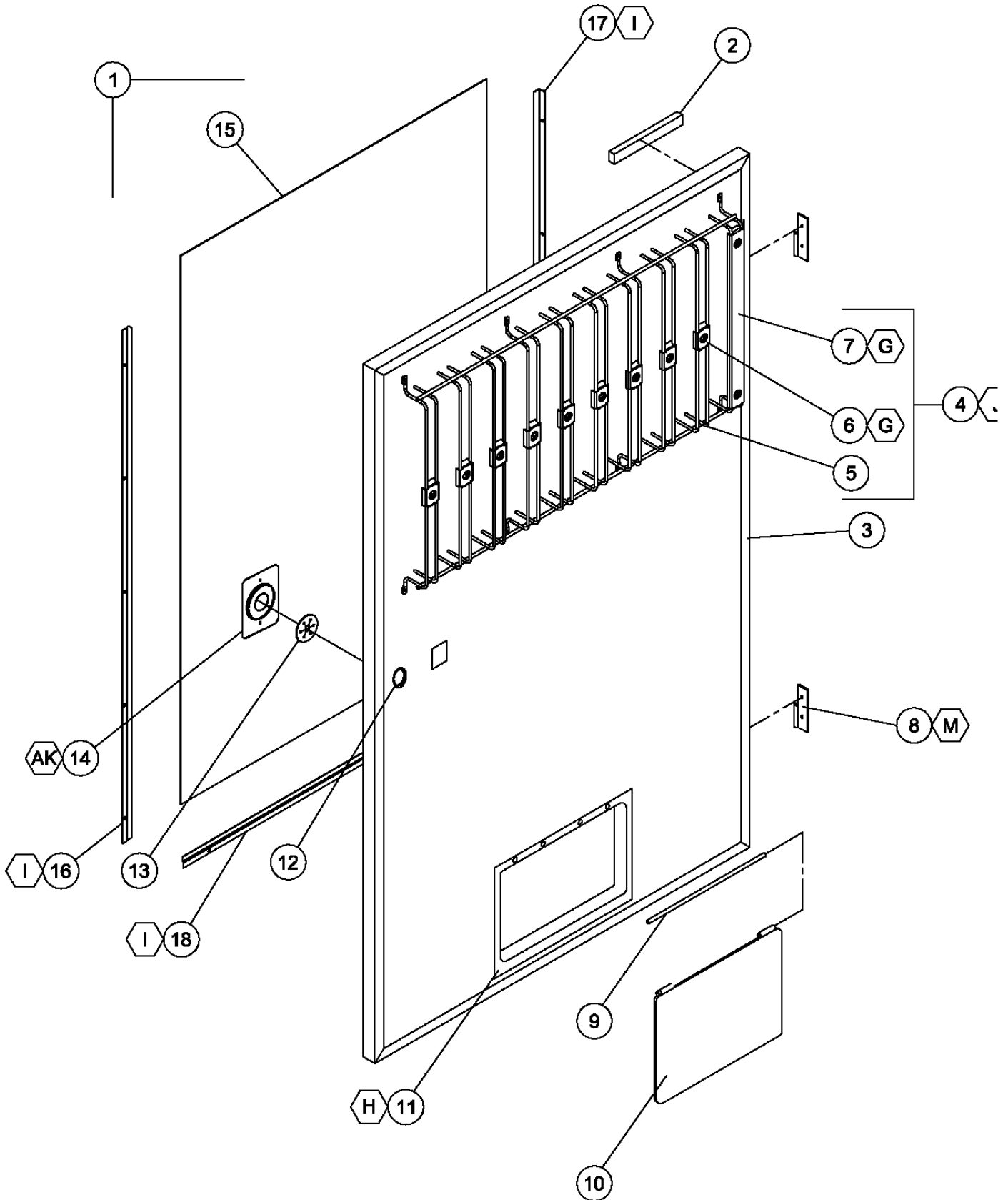


## V21 TRADE LIVE DISPLAY LOCK & TRANSACTION ASSEMBLY

ITEM NO.	DESCRIPTION	QTY REQ	PART NO.
1	LOCK ASSEMBLY - QUICKER LOCK	1	1002635
2	T-HANDLE	1	1002392
3	PIN - STUD	1	387601
4	LOCK STUD - QUICKER LOCK	1	1049724
5	SPRING	1	389691
6	E-RING RETAINER	3	388589
7	HEX WASHER	1	387600
8	SPRING - HEAVY	1	389691
9	FLAT WASHER	1	387718
10	FLANGE	1	1002384
11	VAPOR SEAL	1	388132
12	WASHER 1/2	2	V801023
13	LEVER - COIN RETURN	1	1052619
14	CRANK - COIN RETURN LEVER	1	1002244
15	PIVOT BRACKET - COIN RETURN	1	1002252
16	BUSHING	2	385603-4
17	SPRING - COIN RETURN LEVER	1	1060023
18*	COIN INSERT PLATE	1	--
19	COIN INSERT SECURITY PLATE	1	2001481
20	COIN CHUTE ASSEMBLY	1	1087961
21	CHUTE COVER	1	1002341
22	COIN CHUTE	1	1002333
23	COIN RETURN BUTTON	1	1050473
24	COIN INSERT/RETURN GUIDE PLATE	1	1125014
25	DISPLAY LENS	1	1141039
26	DIGITAL DISPLAY PCB - ELECTRONIC	1	1132544
27	DISPLAY HARNESS	1	1087317

FOR A COMPLETE LIST OF HARNESSES, PLEASE SEE PAGE C-15.

\* NOTE: WHEN ORDERING COIN INSERT PLATE, PLEASE SPECIFY **STYLE**.



V21 Door Parts Trade Live Display | D6-12

## V21 TRADE LIVE DISPLAY INNER DOOR

ITEM NO.	MODEL NUMBER		621	721
	DESCRIPTION	QTY REQ	PART NO.	PART NO.
1	INNER DOOR ASSEMBLY	1	134302-80	134302-112
2	RAIN SEAL, INNER DOOR, 7"	1	1111732-1	1111732-2
3	INNER DOOR SEAL	1	1075678-2	1075678
4	UPPER PRODUCT RETAINER ASSEMBLY	1	1125206	1125206-1
5	UPPER PRODUCT RETAINER	1	1185778	1181827
6	SHORT CLIP ASSEMBLY	*	1125261	1125261
7	LONG CLIP ASSEMBLY	1	1125262	1125262
8	INNER DOOR HINGE, FEMALE	2	1121286	1121286
9	HINGE PIN	1	1172323	1172323
10	REVERSABLE VEND FLAP	1	1013076	1013076
11	INNER DOOR EYELET	1	387273	387273
12	GROMMET	1	388090	388090
13	INNER DOOR LATCH	1	1121711	1121711
14	INNER DOOR LATCH BRACKET	1	1121712	1121712
15	INNER DOOR GRAPHICS	1	**	**
16	RETAINER, GRAPHICS, SIDE	1	1125123-2	1125123-2
17	CORNER RETAINER, GRAPHICS	1	1124653	1124653
18	RETAINER, GRAPHICS, BOTTOM	1	1125123	1125123-1

FOR A COMPLETE LIST OF HARNESSSES, PLEASE SEE PAGE C-15.

\*NOTE: QTY OF 9 FOR MODEL 721 & QTY 7 FOR MODEL 621

\*\*NOTE: WHEN ORDERING INNER DOOR GRAPHICS, PLEASE PROVIDE **FRANCHISE, MODEL AND STYLE**.

## V21 TRADE LIVE DISPLAY INNER DOOR LABELS - NOT SHOWN

DESCRIPTION	QTY REQ.	PART NO.
ERROR CODE LABEL, VEC 12.1	1	1123715
PROGRAMMING LABEL, VEC 12.1	1	1123343
WIRING DIAGRAM LABEL, VEC 12.1/12.2	1	1127542
PRODUCT SET UP, V21	1	1126121
SPACE TO SALES, VEC 12.1	1	1128991
INNER DOOR LABEL	1	1125783-1